








BILJAX Haulotte **TF Deck²** **System**

Engineered Base Floor
for Two-Story Tents

Why Choose the Bil-Jax TF Deck² System?

-  **Simplifies Installation:** Reduces engineering complexity and guesswork
-  **Reusable & Durable:** Long-term cost savings, no more scrapping lumber
-  **Built for Real Conditions:** Handles uneven surfaces, elevated base floor and wet environments
-  **Contractor-Ready:** Fewer skilled installers needed, faster learning curve
-  **IBC Compliant:** Meets 2021 and 2024 International Building Code standards

"We put Bil-Jax engineering behind this floor so installers can focus on what matters — a safe, fast, consistent setup."

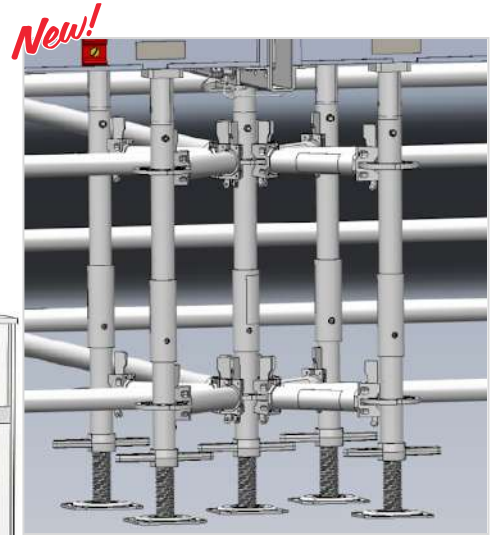
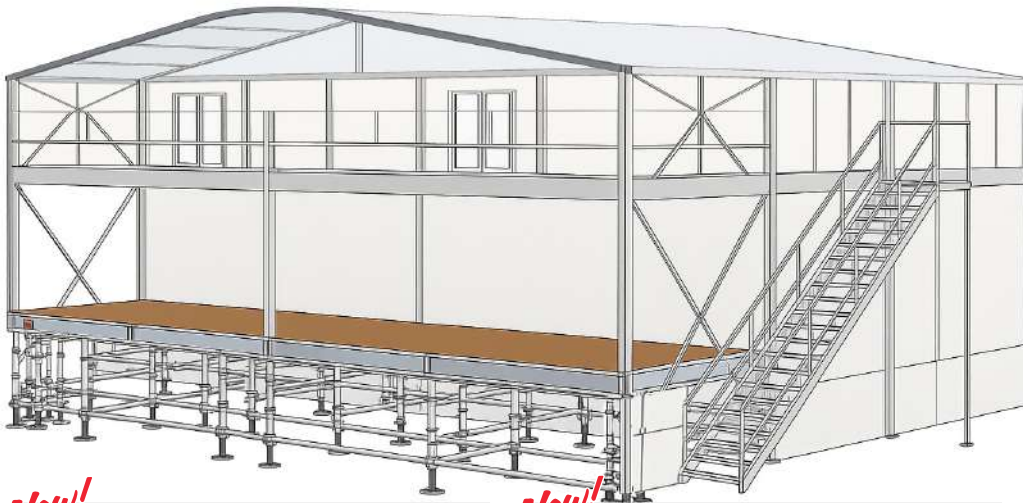
— Cy Baker, Product Manager

Learn More at www.biljax.com/deck2system or
Contact a Bil-Jax Expert at 1-800-537-0540 or insidesales@biljax.com

Solve the Two-Story Tent Challenge

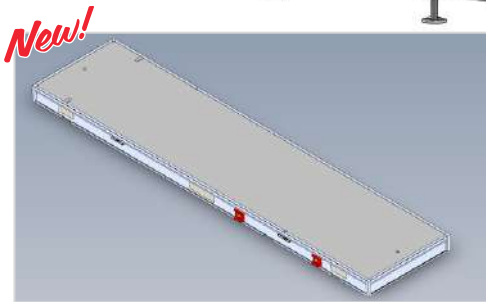
All-New Components Engineered for Versatility, Stability & Rapid Setup.

Traditional two-story tent installations require custom-built platforms, skilled carpentry, and high labor costs. The TF Deck² System offers a better way — a reusable, engineered solution that delivers consistency, speed, and safety across job sites.



TF Deck² Understructure

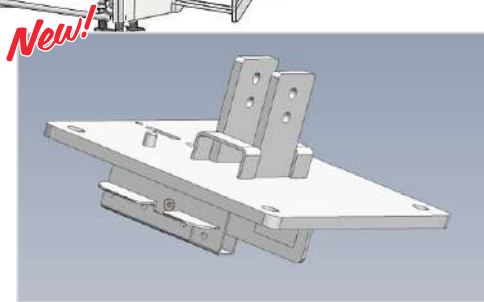
Special understructure supports for the two-story tent system



TF Deck²

0109-500-058250-6

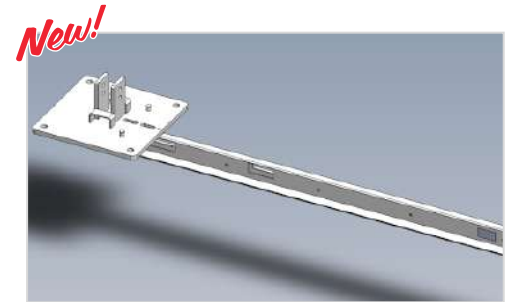
Special TF deck designed for the two-story tent system. Pairs with standard decks.



TF Deck² Connectors

0109-01-095 & 0109-01-094

Engineered to fit OEM tent uprights and provide support for the two-story tent system.





Extension Beam


0109-02-1021


Engineered to support the interior uprights of the double decker tent.

How It Works

 **Engineered Platform:**
Uses the proven TF2100 deck system as the base

 **Seamless Assembly:**
TF-style connectors and panels ensure uniform setup

 **Direct Load Transfer:**
Tent uprights sit directly on vertical supports

 **OEM-Compatible:**
Works with tent manufacturer base plates

 **Adjustable Leg System:**
Levels deck on uneven ground

Scan Me for More!

